

FEATURES:

- Connector to accept cable RG-59 B/U

MATERIALS:

Body and Fitting – Brass per QQ-B-626, ½ Hard

Outer Contact – Beryllium Copper per QQ-C-530, Cond. H.T.

Center Contact – Gold Plated Brass per QQ-B-626, Alloy 360, ½ Hard

Dielectric – PTFE

Finish:

Body and Fittings – Tarnish Resistant

Outer Contact – Tarnish Resistant

Center Contact – Gold Plated per MIL-C-39012

Marking: “POMONA ELECTRONICS 4998”

RATINGS:

Operating Voltage: 500 VRMS Max.

Nominal Impedance: 75 Ohms

ORDERING INFORMATION: Model 4998

All dimensions are in inches. Tolerances (except noted): .xx = ±.02” (.51 mm), .xxx = ± .005” (.127 mm).
All specifications are to the latest revisions. Specifications are subject to change without notice.
Registered trademarks are the property of their respective companies.

Made in USA

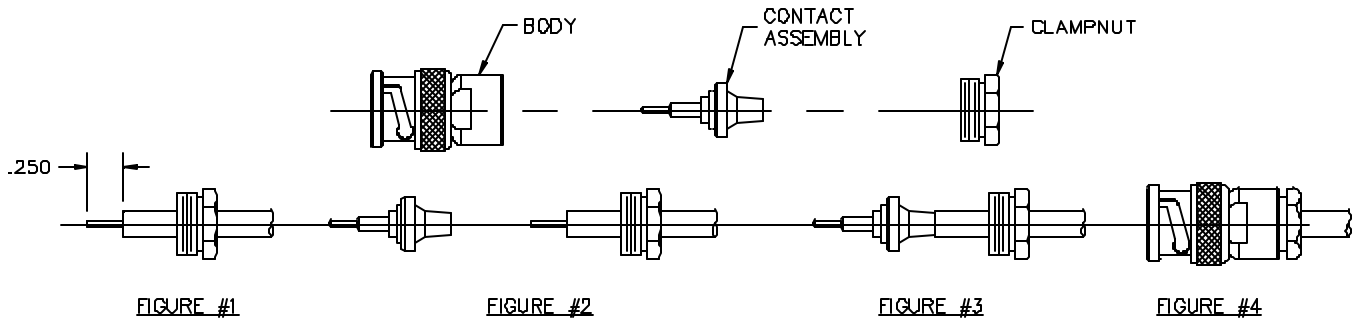


FIGURE #1

- A. Strip cable jacket and braid and dielectric to dimensions shown.
- B. Slide clamp nut over cable.

FIGURE #2

- C. Push the contact assembly onto the cable. The tapered ferrule (of the contact assembly) enters under the braid, push on the contact assembly until the cable covers the entire tapered area of the ferrule.

FIGURE #3

- D. Solder the cable center conductor to the center contact (of the contact assembly).

FIGURE #4

- E. Push the body onto the cable assembly.
- F. Tighten the clampnut.

All dimensions are in inches. Tolerances (except noted): .xx = ±.02" (.51 mm), .xxx = ±.005" (.127 mm).
 All specifications are to the latest revisions. Specifications are subject to change without notice.
 Registered trademarks are the property of their respective companies.

Made in USA